

MEASURING DEVICES

LIST OF CONTENTS

1) Joint Strength Testing Device Type APE 1	2
2) Millivolt Drop Testing Device Type WM 57/10 A	3
3) Chamfer measuring device Type FM 1	5
4) Chamfer measuring device Type FM 2	6

1) Joint Strength Testing Device Type APE 1



Design:

Bench model equipped with a quick action cable clamping unit.
Indication by digital display.

Application:

For testing the strength of tamped joint between copper cable and carbon brush.

Testing range:

5-500 N (1-110 lb) or 10-1000 N (2-220 lb)

Value switch able: Newton (N), Kilogram (Kg), Pound (lb)

Technical data:

- Maximum cable diameter: 8 mm
- Minimum cable diameter: 0,3 mm
- Accuracy : 0,2 % +/- 1 digit
- Space requirements: 500 x 250 x 250 mm
- Net weight: 7 kg
- Gross weight: 14 kg

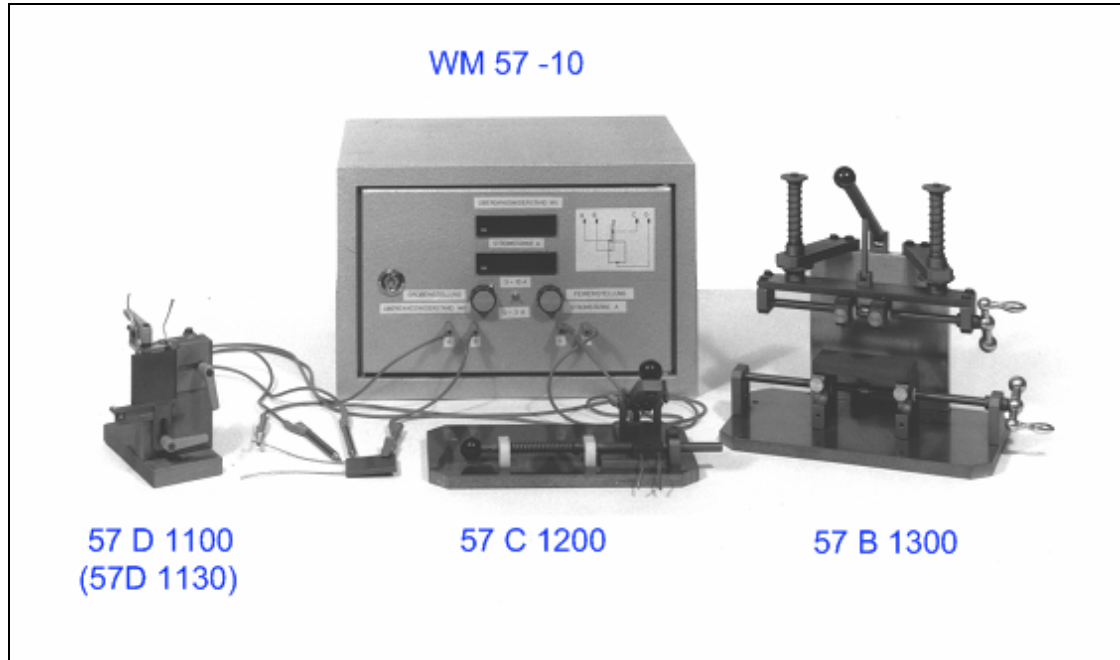
Standard accessories:

- 1 force gauge
- 1 clamping unit
- 1 pulling unit
- 1 power adapter
- 1 documentation

Special accessories

- digital force gauge with other range
- digital force gauge with data transfer - RS-232C, for printer or taking over the measured values in MS-EXCEL

2) Millivolt Drop Testing Device Type WM 57/10 A



Design:

Bench type.

Simple design, easy and quick testing of the millivolt drop possible.

Application:

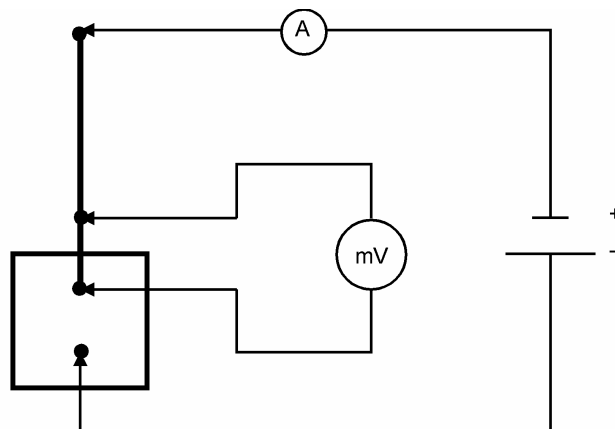
For checking the millivolt drop on ramming contacts.

Range of use:

For all types of carbon brushes.

Stepless variable between 1 and 10 amperes.

Special designs also available for 30, 50 and 60 A.



Capacity: Dependant on the skill of operator
approx. 200 - 600 pcs per hour

Technical data:

- Voltage: 230 V single phase
- Frequency: 50 or 60 cycles
- Testing current: 0 - 10 A
- Space requirement: 500 x 400 x 400 mm
- Net weight: approx. 54 kg = 119 lbs
- Gross weight: approx. 78 kg = 172 lbs

Standard accessories:

- 1 digital voltmeter
- 1 digital amperemeter
- 1 coarse set up of current
- 1 fine set up of current
- 2 measuring pins
- 2 clamping units
- 1 adjustable testing device 57D 01100
- 1 set of tools
- 1 documentation

Special accessories:

- Adjustable testing device for small brushes 57D 01130
- Testing device for blocks 57D 01300
- Testing device for brushes 57C 01200
- Special design for 30 amperes
- Special design for 50 amperes
- Special design for 60 amperes

3) Chamfer measuring device Type FM 1



Application :

Bench model for Quality inspection or direct near by the manufacturing machine, with included calibration gauge

For quick and error free measuring the edge chamfer of carbon brushes. or other workpieces.

Technical Data :

- Maximum chamfer: 2,4 mm x 45°
- Minimum chamfer: 0,0 mm
- Minimum workpiece: 2 x 2 x 5 mm

- Space requirements: 120 x 120 x 150 mm
- power supply: Battery
- Net weight: 2 kg

4) Chamfer measuring device Type FM 2



Application :

Mobile model for Quality inspection or direct near by the manufacturing machine, with separate calibration gauge

For quick and error free measuring the edge chamfer of carbon brushes. or other work pieces.

Technical Data :

- Maximum chamfer: 2,4 mm x 45°
- Minimum chamfer: 0,0 mm
- Minimum workpiece: 2 x 2 x 5 mm
- Size: 60x 100 x 30 mm
- power supply: Battery
- Net weight: 0,35 kg